



# GOWNING

**Unique Stainless Steel Solutions**

- **Modern, aesthetic, ergonomic design**
- **Infinite layout options**
- **Suitable for all clean industries**
- **Fits all gown room sizes and procedures**
- **Modular, easy to install**



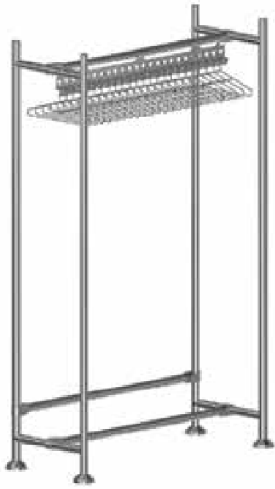
Palbam Class is a world-renowned Cleanroom Gowning Design and Furniture supplier. The extensive range of gownroom products designed and manufactured by Palbam Class is second to none. Palbam Class has a solution to every gownroom requirement, adding a touch of beauty to your cleanroom.

Palbam Class has fitted Gownrooms ranging from small interlocks up to high-density gownrooms serving 2000+ personnel.

Turnkey projects are our specialty.

The Gownroom is often the first impression for employees and visitors alike, that they are entering into a special area. Palbam Class products are guaranteed to ensure that your company will give the best possible impression, as well as serving all the ergonomic, cleanliness and functional requirements.

## GOWNRACKS FOR FULL LENGTH COVERALLS



Ideal furniture, adding a touch of beauty to your gownroom. The modular design allows for various layout options.

**Advantages** of Palbam Class Gown Rack Design:

- Knock Down and completely modular - can be connected end to end or side to side or to walls.
  - Unique rack design holds each hanger at exactly the same angle and spacing ensuring a uniform appearance, creating an image of orderliness and allowing sufficient laminar flow.
  - Mirrors can be connected to side panels, enhancing both aesthetics and functionality.
  - Highest quality workmanship insures aesthetic and functional properties are excellent.
  - Each Gownrack is supplied with hangers and leveler legs with integral covers.
  - Hangers - thickness of material ensures non-deforming.
- Fabrication material: 304 stainless steel, electropolished.
- **Mirrors are optional**  
Immediate delivery - in stock

Product	LxWxH (mm)	LxWxH ( " )	Cat. No.
Hanger unit 08 + Hangers	585x567x2100	23x22x83	GR08CMP
Hanger unit 16 + Hangers	947x567x2100	37x22x83	GR16CMP
Hanger unit 24 + Hangers	1328x567x2100	52x22x83	GR24CMP
Hanger unit 32 + Hangers	1709x567x2100	67x22x83	GR32CMP
Hanger unit 40 + Hangers	2090x567x2100	82x22x83	GR40CMP

## GOWNRACKS FOR FROCKS AND LAB COATS

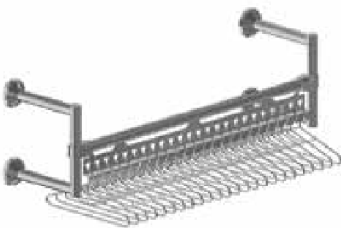


3 options available  
 standard gownrack for full length coveralls.  
 shorter gownrack for frocks and lab coats.  
 wall mount gownracks which can be used for both purposes.

Gownracks can be supplied on 3" cleanroom casters.  
 Write "Casters" after catalog number.

Product	LxWxH (mm)	LxWxH ( " )	Cat. No.
Hanger unit short 08 + Hangers	585x567x1750	23x22x69	GR08CMP-S
Hanger unit short 16 + Hangers	947x567x1750	37x22x69	GR16CMP-S
Hanger unit short 24 + Hangers	1328x567x1750	52x22x69	GR24CMP-S
Hanger unit short 32 + Hangers	1709x567x1750	67x22x69	GR32CMP-S
Hanger unit short 40 + Hangers	2090x567x1750	82x22x69	GR40CMP-S

## WALL MOUNT GOWNRACKS



Product	LxWxH (mm)	LxWxH ( " )	Cat. No.
Wall Mount Garment Rack 8	585x468x470	23x19x19	GRW08CMP
Wall Mount Garment Rack 16	947x468x470	37x19x19	GRW16CMP
Wall Mount Garment Rack 24	1328x468x470	52x19x19	GRW24CMP
Wall Mount Garment Rack 32	1709x468x470	67x19x19	GRW32CMP
Wall Mount Garment Rack 40	2090x468x470	82x19x19	GRW40CMP

## CEILING MOUNT GOWNRACK



New ceiling mount gownracks. Each gownrack is sent with the hangers included.  
Fabrication materials: stainless steel 304 with electropolished finish.

**Customizable to your ceiling height**

Product	LxWxH (mm)	LxWxH (")	Cat. No.
Ceiling Mount Garment Rack 16	947x468x858	37x19x34	GG0831
Ceiling Mount Garment Rack 24	1328x468x858	52x19x34	GG1131
Ceiling Mount Garment Rack 32	1709x468x858	67x19x34	GG1631
Ceiling Mount Garment Rack 40	2090x468x858	82x19x34	GG1931

## HANGERS



Hangers - thickness of material ensures non-deforming.  
Fabrication material: 304 stainless steel, electropolished.

**All gownracks include the correct amount of hangers - so there is no need to purchase separately. However they can be purchased separately if required.**

Product	LxWxH (mm)	LxWxH (")	Cat. No.
Hanger	430x6x185		OHL-EP

## WALL HOOKS



Wall Hooks of varying lengths provide a simple solution to hanging lab coats etc.  
Fabrication material stainless steel 304 with electro-polished finish.

Product	LxWxH (mm)	LxWxH (")	Cat. No.
Wall Hook 5	400x94x28	16x4x1	GJ0401
Wall Hook 6	500x94x28	20x4x1	GJ0501
Wall Hook 10	1000x94x28	40x4x1	GJ1001

## HEPA FILTERED GOWN CABINET



### Palbam Class now offers HEPA filtered Gown Cabinets.

Gownrack with 22 hangers. HEPA filtration 99.995% @ 0.3 micron H14  
Stainless steel 304L electro-polished construction.

0.45 m/s filter face airflow velocity.  
Variable Fan speed control.  
Electronic Touch Button Control Panel.  
Electronic Low Airflow Alarm with mute button.

Service due and service overdue alarm.  
Power requirements can be supplied for both US & European markets.  
Power usage 60 Watt . Leveler feet with covers.

**HEPA cabinets can also be supplied with rod or perforated shelving for ultra-clean storage.**

Product	LxWxH (mm)	LxWxH ( " )	Cat. No.
HEPA Filtered Gown Cabinet	1100x600x2300	43x24x90	HJ1101

### Electronic Touch Button Control Panel



Close up of control panel

## BOOTIE RACKS



Modular bootie cabinet comes in a variety of shelf lengths. Conforms to Garment Rack Design thereby ensuring uniformity of appearance throughout the gownroom. The cabinet can be shipped knock-down and is easy to assemble. Standard features include leveler legs with integral covers.

This product is symmetric so can be used from either side.

**Mirrors are optional.**

Fabrication material: 304 stainless steel, electropolished.

Product	LxWxH (mm)	LxWxH (")	Cat. No.
24 boot cabinet	383x400x2100	15x16x83	BC24CMP
32 boot cabinet	483x400x2100	19x16x83	BC32CMP
40 boot cabinet	583x400x2100	23x16x83	BC40CMP
48 boot cabinet	683x400x2100	27x16x83	BC48CMP
56 boot cabinet	783x400x2100	31x16x83	BC56CMP
Mirror for Bootie Rack Panel 2100mm height			MR-03

## SHOE RACK 36

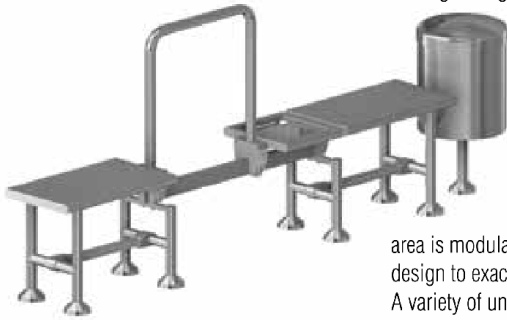


The Shoe Rack has 36 individual slots of 280mm / 11" which is suitable for most shoe storage requirements. Supplied on leveler duck type feet, allowing cabinets to be installed next to each other. Fabrication materials: stainless steel 304 with electro-polished finish.

Product	LxWxH (mm)	LxWxH (")	Cat. No.
Shoe Rack 36	1212x405x2160	48x16x85	GC1202

## MODULAR BENCHES

The Palbam Class™ Modular Bench for seating and “gowning up” in the gown



**Modular Bench Type A**

area is modular and allows a flexible design to exactly fit every gown area. A variety of units in various dimensions can be attached in different ways to provide a custom made seating module. The seating module reduces the number of legs attached to the floor, making the cleaning process easy and the layout flexible.



**Modular Bench Type B**

Fabrication material: stainless steel 304 with electropolished finish

Product	LxWxH (mm)	LxWxH (")	Cat. No.
Modular Bench Type A	2510x360x1000	99x14x40	<b>MOD BENCH-A</b>
Modular Bench Type B	3800x360x470	150x14x19	<b>MOD BENCH-B</b>

## GOWNING BENCHES



### Features

- Rounded edges
- Electro-polished
- Height adjustable legs
- Leg covers (covers unsightly bolt connections to floor)

### Benefits

- Ergonomic
- No snag points
- Ultraclean
- Quality Appearance

Fabrication material: stainless steel 304 with electropolished finish



Product	LxWxH (mm)	LxWxH (")	Cat. No.
Basic Cleanroom Bench	600x350x450	24x14x18	<b>GB-0630</b>
Basic Cleanroom Bench	800x350x450	32x14x18	<b>GB-0830</b>
Basic Cleanroom Bench	1000x350x450	40x14x18	<b>GB-1030</b>
Basic Cleanroom Bench	1200x350x450	48x14x18	<b>GB-1230</b>
Basic Cleanroom Bench	1400x350x450	55x14x18	<b>GB-1430</b>

Product	LxWxH (mm)	LxWxH (")	Cat. No.
Rod Type Class 1 Gown Bench	800x370x450	32x15x18	<b>GB-0811</b>
Rod Type Class 1 Gown Bench	1000x370x450	40x15x18	<b>GB-1011</b>
Rod Type Class 1 Gown Bench	1200x370x450	48x15x18	<b>GB-1211</b>
Rod Type Class 1 Gown Bench	1400x370x450	55x15x18	<b>GB-1411</b>

## SWING OVER BENCH



The Swing Over bench is designed to assist in the Gowning Process. The raised platform assists in putting on Booties/Shoe Covers. The bench can also be used as a separation barrier between pre gowning and gowning areas. The optional connection pieces allow the benches to be joined together. Immediate delivery - in stock  
Fabrication material: 304 stainless steel, electropolished.

Product	LxWxH (mm)	LxWxH (")	Cat. No.
Swing Over Bench	850X350X450	34x14x18	<b>SGB-0850</b>
Bench Corner Connector 45°			<b>GB0045</b>
Bench Corner Connector 90°			<b>GB0090</b>
Bench Straight Connector 180°			<b>GB0180</b>



**Corner connections** can also be used with Basic Gown Benches

**Having difficulty putting on your shoe covers?  
The Swing Over Bench  
Eliminates back bending!**



**2 x swing over bench with  
1 x 90 degree connector**



**2 x swing over bench with  
1 x 45 degree connector**



**2 x swing over bench with  
1 x 180 degree connector**

## BOOTIE BENCH

The new Bootie Bench has 3 options



**2 x Solid shelves underneath**

Fabrication Material: Stainless Steel 304L with electro-polished finish. Shipped flat packed.  
[Custom dimensions according to your requirements](#)

Product	LxWxH (mm)	LxWxH (")	Cat. No.
Bootie Bench 2 undershelves	1000x473x550	40x19x22	<b>BB1047-2</b>
Bootie Bench 2 undershelves	1200x473x550	48x19x22	<b>BB1247-2</b>
Bootie Bench 2 undershelves	1400x473x550	55x19x22	<b>BB1447-2</b>



**2 x Solid shelves with dividers spaced 100mm / 4" apart**

Product	LxWxH (mm)	LxWxH (")	Cat. No.
Bootie Bench 2 undershelves + dividers	1000x473x550	40x19x22	<b>BB1047-2D</b>
Bootie Bench 2 undershelves + dividers	1200x473x550	48x19x22	<b>BB1247-2D</b>
Bootie Bench 2 undershelves + dividers	1400x473x550	55x19x22	<b>BB1447-2D</b>



**2 x Solid shelves with dividers spaced 100mm / 4" apart & screen at rear to ensure separation**

Product	LxWxH (mm)	LxWxH (")	Cat. No.
Bootie Bench 2 undershelves + dividers + screen	1000x473x550	40x19x22	<b>BB1047-2DS</b>
Bootie Bench 2 undershelves + dividers + screen	1200x473x550	48x19x22	<b>BB1247-2DS</b>
Bootie Bench 2 undershelves + dividers + screen	1400x473x550	55x19x22	<b>BB1447-2DS</b>



## Wall Mount Fold Down Gowning Bench



The wall mount fold down gowning bench offers an ideal solution to cleanroom gown rooms where a regular bench would obstruct a passageway. Fabrication material: stainless steel 304L with electro-polished finish.

(Custom dimensions and sst 316 also possible) .The bench can be connected directly to the wall.

**Custom dimensions are possible according to your layout.**

If the wall is not strong enough we offer an extra leg which can be attached to the floor adjacent the wall.

Product	LxWxH (mm)	LxWxH ( " )	Cat. No.
Wall Mount Fold Down Gowning Bench	1200x353x457	48x14x18	<b>GB1250</b>
Fold Down Bench Leg Support	261x66x457	10.5x2.5x18	<b>GB0001</b>



## WIPEDOWN TABLES



The Wipe Down table supports the wipe-down procedure in a perfect way and includes a waste-through opening on the table-top. The attached cabinet can be reverse mounted allowing for layout flexibility.  
Fabrication material: 304 stainless steel, electropolished.

Product	LxWxH (mm)	LxWxH ( " )	Cat. No.
Wipe Down Table	1200x600x900	48x24x36	<b>WDT-1260</b>
Wipe Down Table	900x600x900	36x24x36	<b>WDT-0960</b>



Product	LxWxH (mm)	LxWxH ( " )	Cat. No.
Wipe Down Table - Front opening	500x600x900	20x24x36	<b>WDT-0560</b>



Product	LxWxH (mm)	LxWxH ( " )	Cat. No.
Wipe Down Table with Drawers on legs	800x500x1000	31.5x20x39.5	<b>GC0809</b>
Wipe Down Table with Drawers on casters	800x500x1000	31.5x20x39.5	<b>GC0809C</b>

## FEEDER CABINETS



This modern design storage cabinet supports gowning operation from the gown room itself. Front access doors are used for reloading and for storage purposes. The bottom cabinet can be used for storage or disposal.

Perspex dispenser slots ensure that disposables or garments can be extracted one at a time and do not spill out.

Modular - available as:  
 4 compartments, 8 compartments and 12 compartments. Modifications are possible according to layout.  
 Fabrication material stainless steel 304 with electropolished finish.

Shipped flat packed with assembly instructions.

Product	LxWxH (mm)	LxWxH (")	Cat. No.
Feeder - front load - front dispense 4	500x400x2000	20x16x79	FFCS-0540-SST
Feeder - front load - front dispense 8	1000x400x2000	40x16x79	FFCS-1040-SST
Feeder - front load - front dispense 12	1500x400x2000	60x16x79	FFCS-1540-SST



Can be customized with Sloping roofs or larger openings if required



## RECYCLE CABINETS



The recycle cabinet is used for disposing hairnets, shoe-covers, and other disposables when exiting the gown room. This unit helps keep the disposal process in-order.

A mirror is also available above the unit. Each compartment contains a waste bin. Fabrication material stainless steel 304 with electropolished finish.

Shipped flat packed with assembly instructions.

Product	LxWxH (mm)	LxWxH (")	Cat. No.
Recycle Cabinet - 1 door 1 hole	500x600x900	20x24x36	RECYC-0050-SST
Recycle Cabinet - 2 door 2 holes	1000x600x900	40x24x36	RECYC-0100-SST
Recycle Cabinet - 3 door 3 holes	1500x600x900	60x24x36	RECYC-0150-SST
Recycle Cabinet - 4 door 4 holes	2000x600x900	80x24x36	RECYC-2000-SST

## MIRRORS



Mirrors are an integral part of the gowning process. The mirrors are safe with adhesive backing to prevent shattering and are mounted on a stainless steel plate.

A stainless steel frame enables easy mounting and guards the mirror from gownroom traffic.

**There are 3 options :**

MR-01: Free Standing, connected to the wall and floor. All weight is on the floor. Wall mount just provides anchor to prevent tipping.

MR-02: Mounted in side panel of Gown Racks

MR-03: Mounted in side panel of Bootie Racks

Product	LxWxH (mm)	LxWxH (")	Cat. No.
Full Length Mirror in Frame	600x40x2100	24x2x83	MR-01
Mirror for Gownrack Panel 2100mm height			MR-02
Mirror for Gownrack Panel 1750mm height			MR-02-1750
Mirror for Bootie Rack Panel 2100mm height			MR-03
Face Mirror	400x533x8mm	16x21x0.3"	GM0450



## WASTE RECEPTACLES



**WR-3001 - 50 liter capacity**



**WR-3002 - 40 liter capacity**



**WR-3003 - 40 liter capacity**



**GW0501 - 115 Liter capacity**



**GW0401 - 48 Liter capacity  
Pedal Opening**

Our round waste receptacle includes an internal nylon holder and lid. The lid has a large opening for easy disposal. No need to come in contact with the bin. (No flaps or other devices are attached, as these just increase contact between user and the waste bin).  
The free-stand model is mounted on Casters which are hidden from view. Can also be mounted on a bench or to the wall or floor.  
Immediate delivery - in stock  
Fabrication material: 304 stainless steel, electropolished.

Product	LxWxH (mm)	LxWxH ( " )	Cat. No.
Waste Receptacle - Free Stand	355x355x650	14x14x26	<b>WR-3001</b>
Waste Receptacle - Floor Mount	355x355x700	14x14x28	<b>WR-3002</b>
Waste Receptacle - Wall mount	355x355x450	14x14x18	<b>WR-3003</b>

Large Waste Receptacle - Free Stand	500x500x700	20x20x28	<b>GW0501</b>
-------------------------------------	-------------	----------	---------------

**New**  
Pedal opening design.  
Includes plastic bin inside.

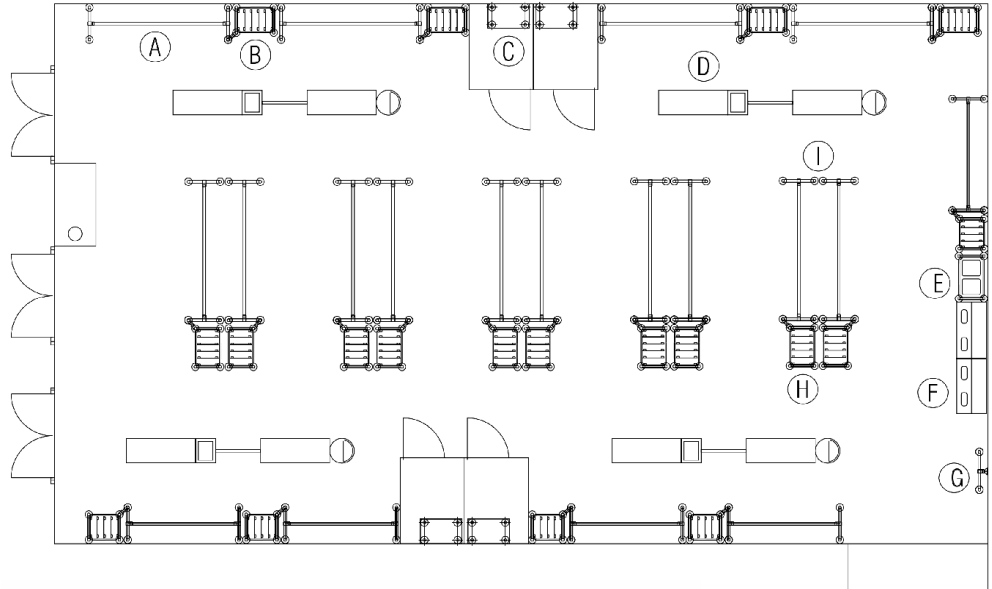
Product	LxWxH (mm)	LxWxH ( " )	Cat. No.
Waste Receptacle with pedal opening lid (contains plastic bin inside)	407x410x608	16x16x24	<b>GW0401</b>

## CLEANROOM LAYOUT

Palbam Class is a world leader in gown room furniture system design, manufacture and layouts. As such Palbam Class has a specially trained engineering team, with years of cleanroom experience. For large or small projects we recommend using our engineering team as they have intimate knowledge of all Palbam Class products and cleanroom layouts.

### GOWN ROOM LAYOUT

- A. Garment rack
- B. Bootie Cabinet
- C. Basic Bench
- D. Modular Bench
- E. Miscellaneous Cabinet
- F. Final Glove Cabinet and Glove Dispenser
- G. Mirror
- H. Mirror for Bootie Cabinet
- I. Mirror for Garment Rack



**PALBAM CLASS offers the following special services:**

1. Custom Engineering & Design for Non Catalog products
2. Project Management

**CONTACT US TODAY**



## ACCESSORIES Feet, Covers & Wheels

### Feet



Product	Description	Cat. No.
30 mm Leveling Foot	Included as standard on all ergo tables	AF0300-010
40 mm Leveling Foot		AF0400-010



Product	Description	Cat. No.
95 mm Leveling Plate	Included as standard on all heavy duty tables & Gowning Furniture	AF0012-100



Product	Description	Cat. No.
"Duck Foot" Leveling Plate	Can be bolted to the floor	AF0055

### Covers



Product	Description	Cat. No.
Cover for 30 mm leveling foot	Smooth polymer cover fits over leveling foot to protect floors	AF0130
Cover for 40 mm leveling foot	Smooth polymer cover fits over leveling foot to protect floors	AF0140
Cover for 95 mm leveling Plate		AF0150



Product	Description	Cat. No.
Stainless Steel Cover for 95 mm leveling Plate	Decoratively covers the leveling plate and bolt connections to the floor. Included as standard on heavy duty tables & Gowning Furniture.	AF0040-001

### Wheels



Product	Description	Cat. No.
5 inch white Nylon wheel	Heavy Duty swivel type non marking cleanroom wheel	AW2001-100
5 inch white Nylon wheel + brake	Heavy Duty swivel type non marking cleanroom wheel	AW2001-200



Product	Description	Cat. No.
5 inch grey ESD wheel	Heavy Duty swivel type Grey ESD cleanroom wheel	AW2002-100
5 inch grey ESD wheel + brake	Heavy Duty swivel type Grey ESD cleanroom wheel	AW2002-200